

# Technical Information

No. 5610

Edition: 04/10

Status: 03/10

Preliminary: Subject to change

# Xenon Short Arc Lamp

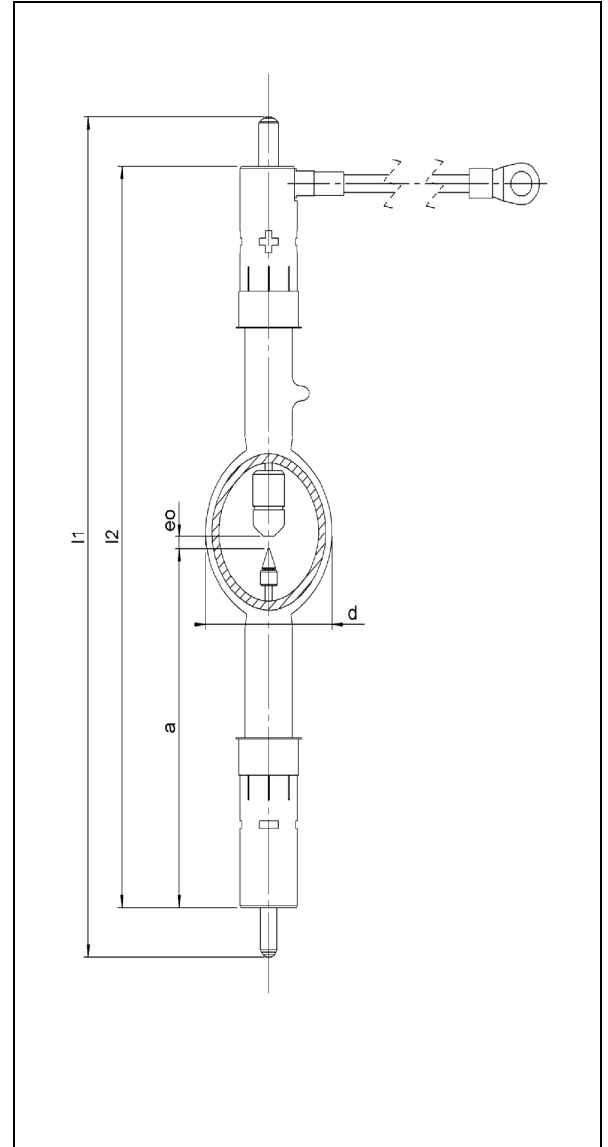
## XBO<sup>®</sup> 4000 W/DHP CL OFR

### ■ Product description

The OSRAM XBO<sup>®</sup> 4000 W/DHP CL OFR is a DC operated lamp, which especially has been designed for applications, requiring highest level of performance in luminance and excellent arc stability. The CL lamps, which stands for Classic Line, combines the classical Osram features with a strictly cost optimized bulb design.

### ■ Technical data

Order reference	XBO <sup>®</sup> 4000 W/DHP CL OFR	
Rated lamp wattage	W	4000
Rated lamp voltage	V	35
Rated lamp current (=) *)	A	115
Current control range	A	80 - 125
Ignition voltage	kV <sub>P</sub>	40
Min. open circuit voltage for cold / hot ignition	V	100 / 120
Luminous flux	lm	185.000
Luminous intensity	cd	17.500
Average luminance	cd/cm <sup>2</sup>	120.000
Luminous area w x h **)	mm	1.5 x 5.5
Electrode gap e (cold)	mm	6,5
Lamp length (overall) l <sub>1</sub>	mm	max. 345
Lamp length l <sub>2</sub>	mm	max. 295
LCL	a	mm 123
Bulb diameter	d	mm 60
Service warranty ***)	h	1300
Warranty 100%	h	1000
Base	Cathode:	SFc 27-16/45
Anode side cable 130mm	Anode:	SFa X 27-14x80



\*) Using electronic rectifier with low current ripple.

\*\*) w = luminance half width value; h = height of luminance area (corresponds to electrode gap, hot)

\*\*\*) Covers rupture effects in the projector, like reflector and first filter in front of the lamp.

### ■ Lamp operation

Maximum permissible base temperature	230°C
Cooling	forced cooling / fan
Min. air flow velocity around discharge vessel	7 m/s
Magnetic arc stabilization	necessary for horizontal operation
Burning position	s 110 (vertical ± 110°; anode up)